

OKI

Okipage 14e

Spare Parts List

[Extracted from Okipage 14e Maintenance Manual]

LED Page Printer

ODA/OEL/INT

2001-03-19 Rev.2

PARTS LIST

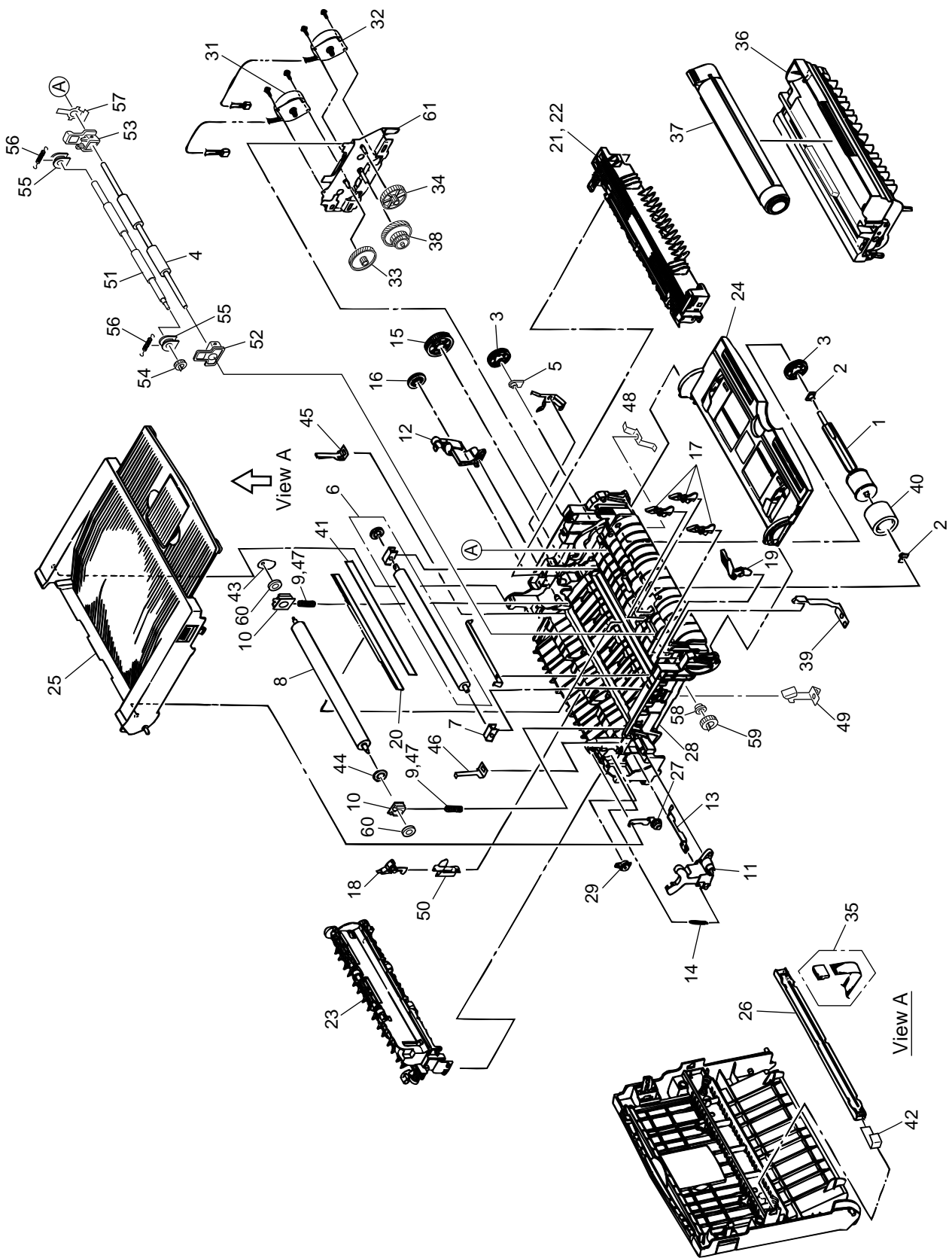


Figure 8-1 Lower Base Unit

Table 8-1 Lower Base Unit (1/2)

No.	Name/Rating	Part No.	Use	Remarks	ODA Part No.
1	Hopping roller shaft	3PP4083-6020P001	1		51112601
2	Bearing	4PP4083-6022P002	2		51607402
3	Hopping roller one-way clutch gear	4PB4083-6024P001	2		51228901
4	Roller registration	41281101	1		
5	Bearing (registration)	4PP4083-6031P001	1		51607501
6	Roller-Transfer Assy	40437802	1		
7	Bearing TR	40438001	1		
8	Roller Back-up	41301801	1		
9	Spring Bias	41584101	2		
10	Holder BU	41536201	2		
11	Reset lever L	40581801	1		50805801
12	Reset lever R	3PP4083-6054P001	1		50805901
13	Cover open switch arm	3PP4083-6058P001	1		53068901
14	Stacker cover reset spring	4PP4083-6057P001	1		50924201
15	Fuser roller idle gear	4PP4083-6080P001	1		51229101
16	Eject roller idle gear	4PP4083-6081P001	1		51229201
17	Sensor plate (inlet)	4PP4083-6083P001	3		51010701
18	Lever eject sensor Assembly	40771401	1		
19	Toner sensor (adhesion)	4PP4083-6086G001	1		50405501
20	Diselectrification bar	4PB4083-6979P001	1		
21	Heat Assy - OP14i	40470107	1	120V	
22	Heat Assy - OP14i	40470108	1	230V	
23	Roller assy - Eject	40772501	1		
24	Manual feed guide assy	2PA4128-1149G001	1		51011001
25	Stacker-Assy	40103803	1		
26	LED head unit - 31E	41673601	1		
27	Stacker cover damper arm	4PP4083-6191G001	1		53069101
28	Frame subassy	41453901	1		
29	Stacker cover damper	4PB4083-6197P001	1		51229401
30					
31	Motor-Pulse (main)	41301901	1		
32	Motor-Pulse (regist)	40722301	1		
33	Gear-Idle A (Z60/20)	41279001	1		
34	Gear-Idle B (Z45/16)	41279101	1		
35	Cord-LED Assembly	41669801	1		
36	Image drum unit	41331601	1	ODA	
	Image drum unit	41331602	1	OEL	
	Image drum unit	41331603	1	APS	
37	Toner Cartridge	40433203	1	APS(2.5k)	
38	Gear-Reduction	41279201	1		
39	FG plate (O.P.)	4PP4083-7663P001	1		
40	Hopping roller rubber	4PB4076-5447P001	1		
41	Diselectrification Film	3PB4083-6089P001	1		

Table 8-1 Lower Base Unit (2/2)

No.	Name/Rating	Part No.	Use	Remarks	ODA Part No.
42	LED Contact	4PP4083-6173P001	1		
43	Washer C	4PP4120-1210P001	1		
44	Washer B	4PP4120-1209P001	1		
45	Spacer-Bearing R	41583901	1		
46	Spacer-Bearing L	41584001	1		
47	Bias spring A	41599601	2	Special parts for envelope *	
48	Plate-Contact PB	41280501	1		
49	Plate-Contact CH-Sub	41280201	1		
50	Sensor wire Assembly	41027701	1		
51	Roller-Pressure	41281001	1		
52	Holder-Regist L	41279501	1		
53	Holder-Regist R	41279601	1		
54	Gear-Pressure	41279801	1		
55	Bearing-Pressure	41279401	2		
56	Spring-Tension	41281201	2		
57	Plate-Contact PA	41280401	1		
58	Bearing-Regist L	41279301	1		
59	Gear-Regist	41279701	1		
60	Bearing-Ball	41584201	2		
61	Bracket-Motor	41280001	1		

* This part is countermeasure for envelope wrinkle and common part to bias spring A in OL400e. Both side springs must be exchanged at the same time.

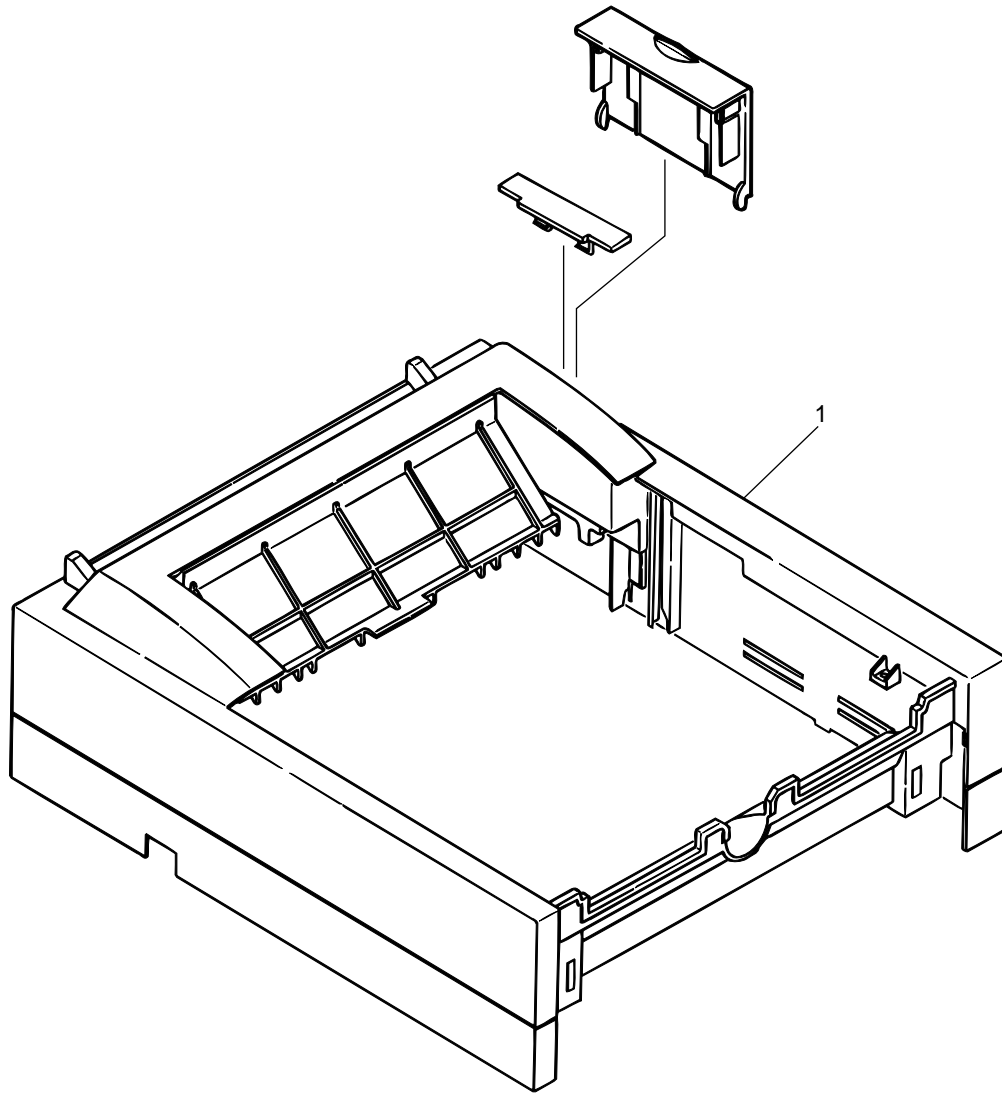


Figure 8-2 Upper cover unit

Table 8-2 Upper cover unit

No.	Name/Rating	Part No.	Use	Remarks	ODA Part No.
1	Upper cover assy	41618801	1		

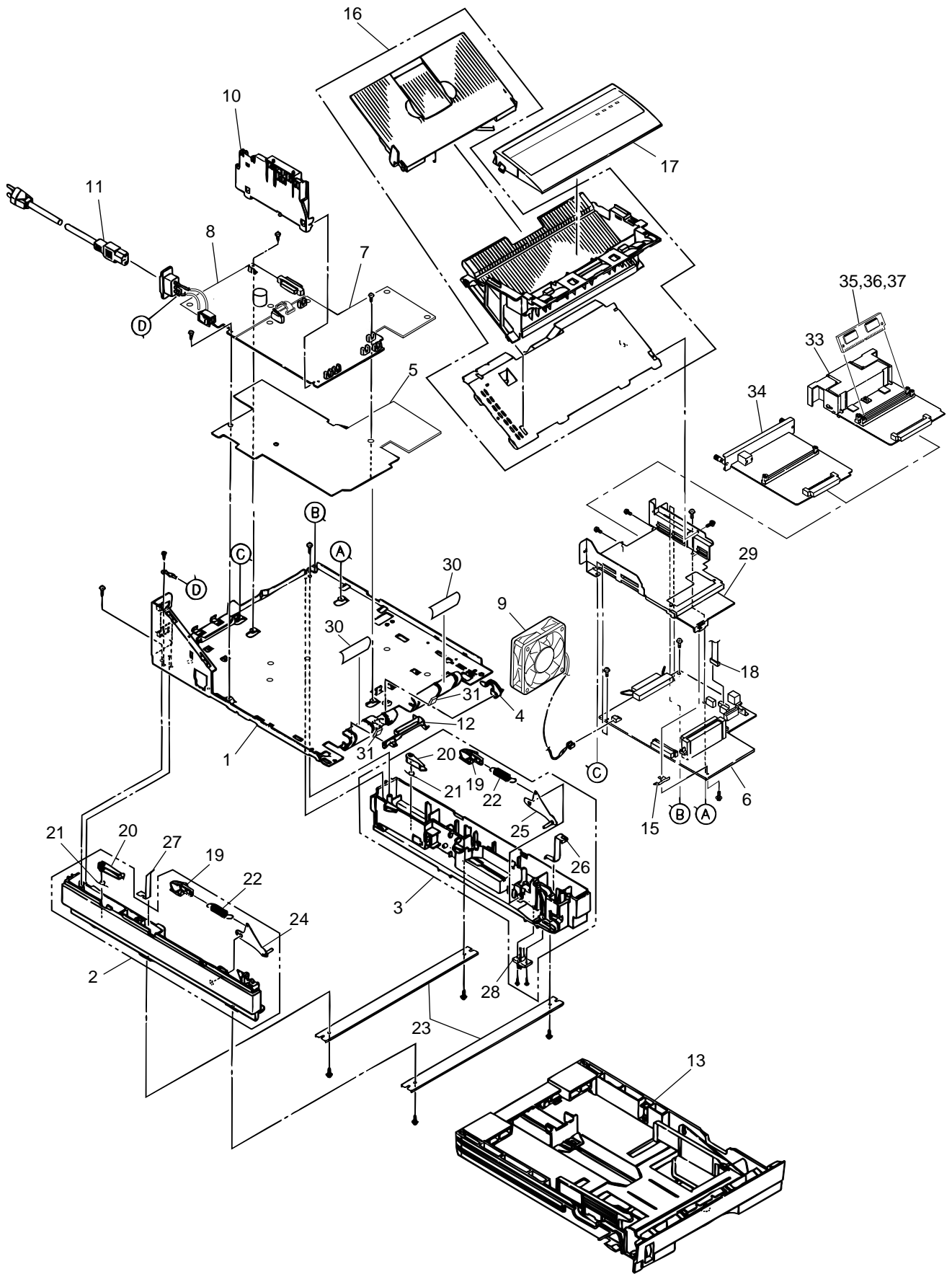


Figure 8-3 Base unit

Table 8-3 Base unit

No.	Name/Rating	Part No.	Use	Remarks	ODA Part No.
1	Plate base	41279901	1		
2	Cassette guide (L) assy	3PP4083-7670G001	1		51011201
3	Cassette guide (R) assy	3PP4083-7671G001	1		51011301
4	Sensor plate (paper supply)	4PP4083-7667P001	1		51011401
5	Plate-Insulator	41301601	1		
6	Board-M7G	41478603	1		
7	PCB Assy-HV1	41228501	1		
8	Power supply Unit	41533501	1	120V	
	Power supply Unit	41533601	1	230V	
9	Fan motor	41454401	1		
10	Contact assy	41445801	1		
11	AC cord	3YS4011-1315P001	1	120V	51011501
	AC cord	3YS4011-1266P001	1	220~240V	
12	Cassette sensor plate	3PP4083-6154P001	1		
13	Cassette Assy-Paper	40473006	1		
14					
15	Earth plate	4PP4083-6137P001	1		51011601
16	Face up stacker cover assy	2PA4128-1143G001	1		51011301
17	Frame Assy-OP Panel	40979704	1	ODA/OEL/INT	
18	Cord assy /OP	40997101	1	120V	
19	Link pull block	4PP4122-1170P001	2		
20	Cassette lock lever	3PP4083-7653P001	2		
21	Cassette lock lever spring	4PP4083-7655P001	2		
22	Sheet spring	4PP4083-7666P001	2		
23	Beam	3PP4083-7660P001	2		
24	Sheet link L assy	4PP4083-7657G001	1		
25	Sheet link R assy	4PP4083-7658G001	1		
26	FG plate (2nd)	4PP4083-7662P001	1		
27	FG plate (bm)	4PP4083-7665P001	1		
28	Connector cord	3YS4111-3527P001	1		
29	Plate Guide-PCB	41301701	1		
30	Polyethylene Tape	4YC4061-5115P001	2	L=91.5mm	
31	Guide-Paper H	40828301	2		
32	CS-RING(CS3-SUS)	4PB4013-3501P002	2		
33	Board-MM7	41204104	1	Option	
34	Board-SIF	41204704	1	Option	
35	Board-FSL	40405419	1	Option (4MB)	
36	Board-FSL	40405420	1	Option (8MB)	
37	Board-FS2	41155804	1	Option	